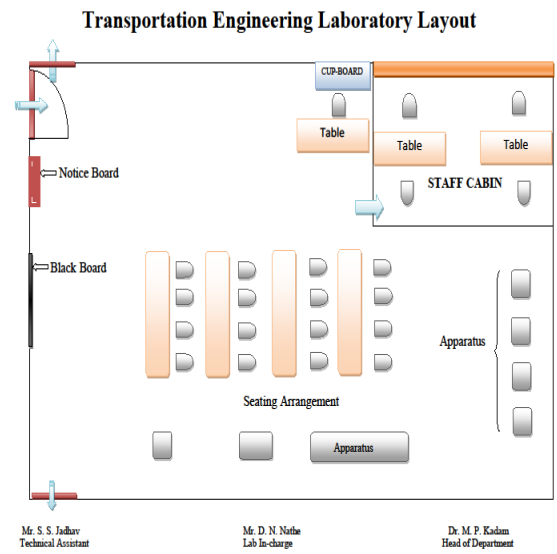


Transportation Engineering Laboratory

Lab Photo:





Lab Layout:



Lab Area:	109.20 (Sq. Mt.)
------------------	------------------

Lab Cost:	468578.87 (Lacs)
------------------	------------------

	
Mr. D. N. Nathe Assistant Professor Lab In charge	Mr.S.S. Jadhav Technical Assistant

Major Equipment Available In Lab:

Sr. No.	Name of Equipment / Software	Quantity	Cost
1	Laboratory CBR Apparatus	01	74636.64
2	Ductility Apparatus	01	54697.50
3	Los Angels Abrasion Testing Machine	01	90094.68
4	Marshal Apparatus	01	84623.76
Total			304052.58

- **Services Provided:** To conduct experiments as per the curriculum for undergraduate classes.